

# Arc-O-Pod

## Part #: 15030

Compliant with all OSHA 1910, OSHA 1926 Subpart M, ANSI Z359.1-2007, and ANSI A10.32-2012 regulations.

Custom configurations not available. Not repairable. Contact customer service for details.

Arc-O-Pod is suitable for the following application:



**Rescue/Confined Space:** Arc-O-Pods may be used in Rescue/Confined Space applications. Rescue systems function to safely recover a worker from a confined location or after exposed to a fall. There are various configurations of Rescue systems depending on the type of rescue. Structure must withstand loads applied in the directions permitted by the system of at least 3,000 lbs. No free fall is permitted. Applicable D-rings: Dorsal, chest, shoulder.

**For all applications: worker weight capacity range (including all clothing, tools, and equipment) is 130-310 lbs., or up to 420 lbs. if used in combination with equipment explicitly certified for such use.**

Materials: powder-coated steel, stainless steel, aluminum, neoprene, and polyethylene.

Intended for use in combination with 3-Way SRL (part #: 10974) and Mounting Bracket (part #: 10983). Both sold separately.

MAXIMUM 1 user per Arc-O-Pod.

UPC-A Codes:

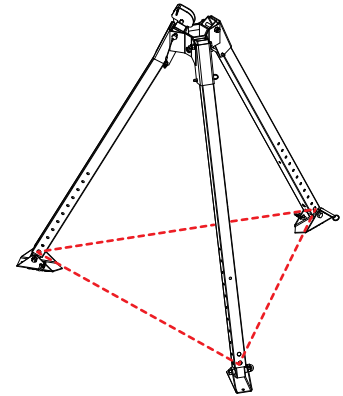
15030: 672421150307

10974: 672421109749

10983: 672421109831

# GUARDIAN

FALL PROTECTION



Maximum Arc-O-Pod footprint is 27 ft<sup>2</sup>



10974



10983