



Northside Sales, Co.
Safety & Industrial Products
800-467-9005

Dräger

Dräger X-plore® 6570 Full Face Mask

The Dräger X-plore® 6570 is the high-comfort silicone full face mask used by professionals in a wide variety of applications. It meets the highest demands of quality, reliability, secure fit, and comfort. This full face mask is the successor to the Panorama Nova masks, a range which has proven itself over decades of use worldwide.



ST-7501-2005

Dräger. Technology for Life®

Benefits

Silicone mask body for safety and wearing comfort

A double sealing frame with threefold sealing edges offers safe protection and a secure fit for almost all face shapes. The mask body is made of durable and eudermic silicone (blue or yellow color), which provides non-compromising wearing comfort—even during prolonged use.

5-point harness

The comfortable 5-point harness not only ensures easy and quick donning, the wide strap design prevents the development of pressure points on the head.

Large field of vision

The distortion-free lens with 180° wide angle guarantees a large field of view with excellent peripheral vision. The lens is made from impact-proof polycarbonate with either a plastic or stainless steel lens frame available.

Simple servicing and logistics

One universal size simplifies logistics and storage. The inside barcode allows for ease of recording and servicing the mask inventory.

Efficient ventilation system

The efficient ventilation system with separate interior half mask prevents the visor from misting up and guarantees a clear view.

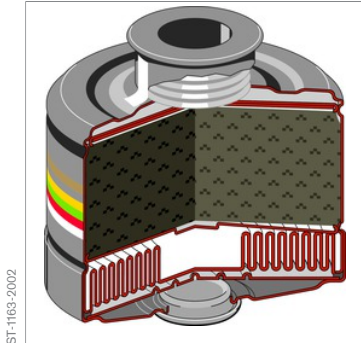
Clear voice communication

An integrated stainless steel voice diaphragm facilitates good communication.

Versatile use

The Dräger X-plore® 6570 is equipped with an Rd40 connection (40mm threaded) for use of the Dräger X-plore® Rd40 filter series.

Accessories



Dräger X-plore® Rd40 Filters

Whether used in chemical industry or automobile industry, shipbuilding, metal processing industry, or by public utility services—for decades Dräger respiratory protection filters have been a synonym for experience and safety worldwide. They clean breathable air from contaminants in a low-cost and effective manner.



Fit Test Adapter

Order No.: R 40 56 718



OHD Quantifit

Fit Test Adapter



Full face case, hard plastic for full mask

Order No.: R 51 019

Accessories



Lens overlay protectors, self-adhesive

Order No.: 40 55 092



Mask spectacles kit

Order No.: R 51 548



Welding protection visor (only for stainless steel frame)

Accepts standard 4-1/2" x 5-1/4" glass

Order No.: 4053437

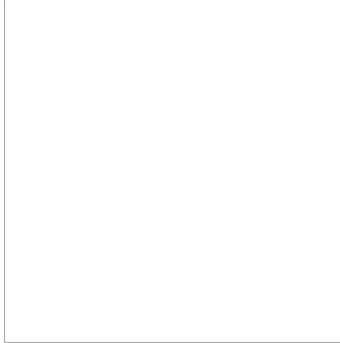


Triplex glass lens

Excellent temperature and chemical resistance

Order No.: R 26 989

Accessories



Hairnet

Order No.: 40 54 931



2100-porta-count-adapter

PortaCount Fit Test Adapter



ST-6179-2006

Anti-fogging gel "klar-pilot" (50 ml)

Order No.: R 52 560



ST-13371-2008

Anti-fogging spray

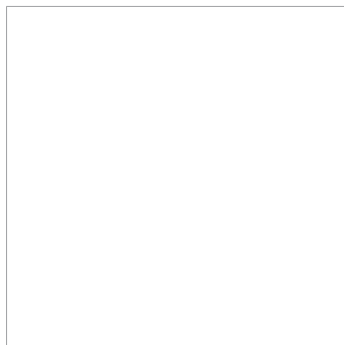
Order number: R 21 120

Accessories



Alcohol-free wipes, box of 100

Order No.: 40 53 845



Full Face Bag

Blue Nylon with Draw String

Order number: R 40 55 785

Related Products



Dräger X-plore® 5500

Whether in the chemical, metal, or automotive industries, ship building, maintenance, supplies, or disposal: The Dräger X-plore® 5500 full face mask is the right solution for environments where not only increased respiratory protection is required, but a clear vision is mandatory.

Related Products



Dräger X-plore® 6300

The Dräger X-plore® 6300 is an efficient, low-cost full face breathing mask intended for price-conscious users not wishing to compromise comfort or quality. This full face mask is the successor to the Panorama Nova Standard, a mask which has proven itself over decades of use worldwide—redesigned and improved with fresh colors and an integrated bar code.



Dräger X-plore® 6530

Especially durable with wide panoramic view: Dräger X-plore® 6530 is an exceptional full face mask for professional use in the most versatile applications.

Technical Data

Mask body	Particularly skin-friendly silicone, which is highly flexible at high/low temperatures
Visor	Choice of impact-resistant polycarbonate or extremely temperature- and chemical-resistant triplex
Connector	Sturdy plastic with inhalation and exhalation valve, standard thread connection Rd 40x1/7" as per EN 148-1
Weight	1.1–1.3 lbs (depending on visor/frame)
Tested and approved	EN 136 Class 3 (CE mark), NIOSH (PC), AS/NZS

Ordering Information

Description		Order no.
Dräger X-plore® 6570 SI/PC	With PC visor and plastic frame	R 55 790
Dräger X-plore® 6570 SI/PC	With PC visor and stainless steel frame	R 51 535
Dräger X-plore® 6570 SI/Triplex	With triplex visor and stainless steel frame	R 55 850
Accessories		
Wikov V carrying case		R 51 019
Protex mask bag		R 54 939
Mask spectacles kit		R 51 548
Lens covers (set of 25), self-adhesive		40 55 092
Welding protection visor (only for stainless steel frame)		R 50 270
Anti-fogging gel "klar-pilot"		R 52 560
DAISYquick cleaning cloths (pack of 10)		R 54 134
Welding shield		40 53 437
Adapter for welding shield	for supplementary panels and welding protective filters with a 4.3 x 3.5 in format	R 57 308
The compatible Dräger X-plore® Rd40 filter series with standard thread connection as per EN 148-1 includes an extensive range of different particle, gas and combination filters (see separate data sheet Dräger X-plore® Rd40 Filters for further details).		

Notes

Notes

Not all products, features, or services are for sale in all countries.
Mentioned Trademarks are only registered in certain countries and not necessarily in the country in which this material is released. Go to www.draeger.com/trademarks to find the current status.

CORPORATE HEADQUARTERS

Drägerwerk AG & Co. KGaA
Moislinger Allee 53–55
23558 Lübeck, Germany
www.draeger.com

Customer Service:

USA
+1 800-4DRAGER
(+1 800-437-2437)

CANADA

+1 877-DRAGER1
(+1 877-372-4371)

Technical Service:

USA
+1 800-4DRAGER
(+1 800-437-2437)

Locate your Regional
Sales Representative at:
www.draeger.com/contact

